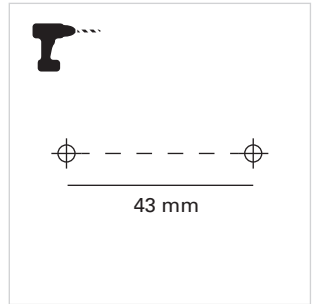
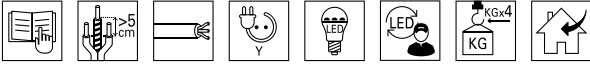


# Safran

DE-0225

FOR  
LIGHT



**1**

**3**

OFF

ON

GU10

L L  
N N

43 mm

The diagram shows the installation process in six panels. The top row shows step 1: attaching the mounting bracket to the spotlight and turning the switch OFF. The middle row shows step 2: drilling a hole in the wall and securing the bracket with screws. The bottom row shows step 3: connecting the wires to the terminal block (L, N, and ground) and turning the switch ON. A GU10 bulb is shown being inserted into the spotlight. A dimension line indicates a 43 mm hole diameter.

